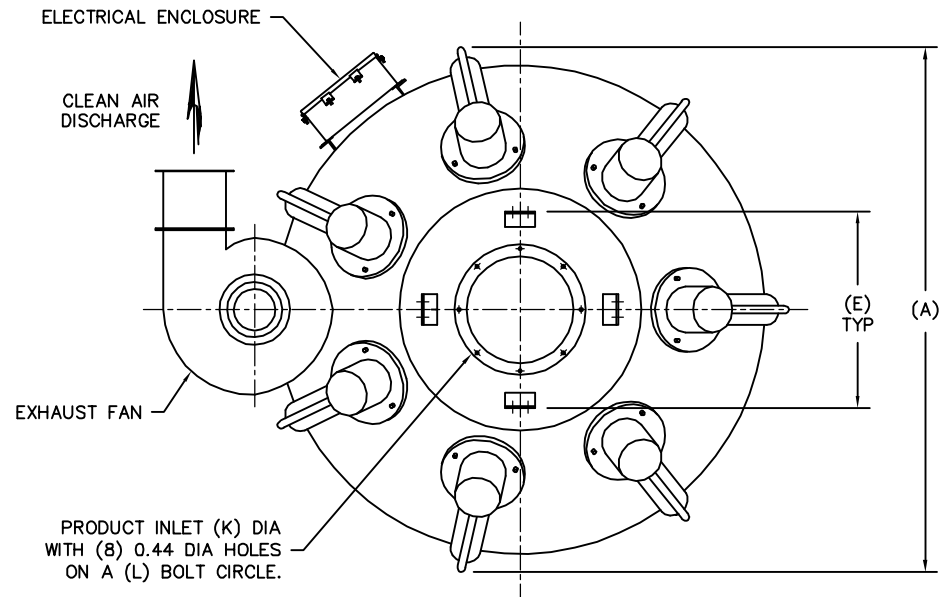


MODEL	EST WGT	# FILTER	CLOTH AREA	FILTER LGTH	A	B	C	D	E	F	G	H	J	K	L
CFM155	520 LB*	4	156 SQ FT	18.00	64.00	24.00	12	25.88	22.13	30.00	0.56	1.00	1.13	14.00	16.00
CFM195	520 LB*	5	195 SQ FT	18.00	64.00	24.00	12	25.88	22.13	30.00	0.56	1.00	1.13	14.00	16.00
CFM270	700 LB*	7	273 SQ FT	18.00	68.00	32.00	12	34.00	30.00	30.00	0.56	1.00	1.13	14.00	16.00
CFM330	700 LB*	7	329 SQ FT	22.00	68.00	32.00	12	34.00	30.00	30.00	0.56	1.00	1.13	14.00	16.00
CFM470	1600 LB*	10	470 SQ FT	22.00	90.00	38.00	16	40.00	45.00	43.00	0.69	3.00	2.00	16.00	18.00
CFM660	1600 LB*	14	658 SQ FT	22.00	100.00	C/F	C/F	C/F	50.00	54.50	0.75	7.00	2.00	C/F	C/F



**GENERAL NOTES:**

ALL INDUSTRIAL VOLTAGES AVAILABLE FOR ELECTRICAL COMPONENTS.

PREWIRING OF ELECTRICAL COMPONENTS TO CFM HOUSING JUNCTION BOX OPTIONAL.

ELECTRICAL ENCLOSURES NEMA 4 STANDARD. NEMA 4X, 7, AND 9 OPTIONAL.

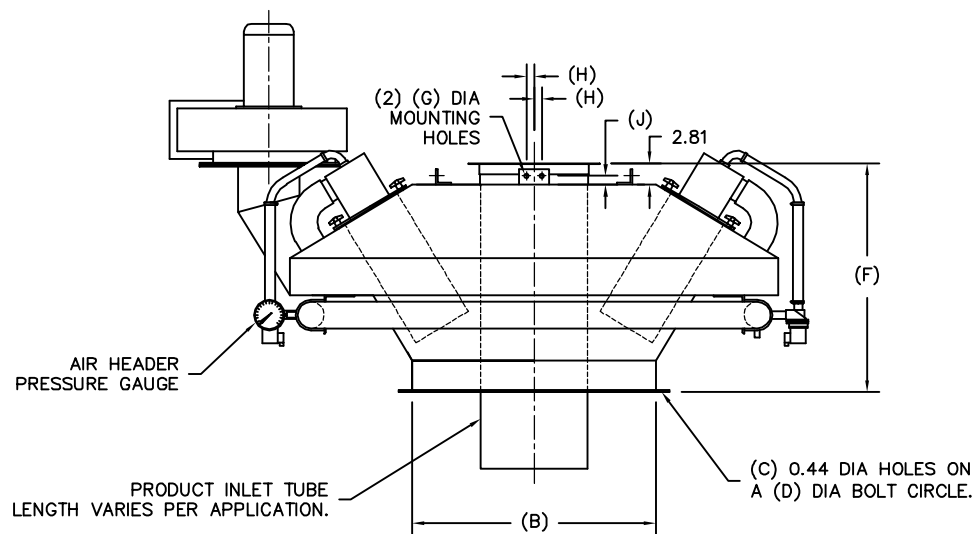
METAL SURFACES ARE POWER TOOL CLEANED, PRIMED, AND FINISHED WITH INDUSTRIAL ENAMEL.

AIR REQUIREMENTS FOR COMPRESSED AIR HEADER ARE (16) CFM @ (80-100) PSI.

SPECIFICATIONS AND/OR DIMENSIONAL DATA ARE SUBJECT TO CHANGE. CONSULT DCL FOR CERTIFIED DRAWINGS.

C/F = CONSULT FACTORY

\*ESTIMATED WEIGHTS DO NOT INCLUDE EXHAUST FAN, OPTIONAL EQUIPMENT OR ELECTRICAL COMPONENTS.



REV	DATE	BY	DCL		SPECIALISTS IN ADVANCED DESIGN LOADING SYSTEMS		P.O. BOX 125 CHARLEVOIX, MICHIGAN 49720 (231) 547-5600		
C	04-23-02	JNM	TOLERANCES UNLESS OTHERWISE SPECIFIED		DRAWN BY: JNM		SCALE: NONE		
B	09-28-00	JNM	FRACTIONAL: 1/16" DECIMAL: .005 ANGULAR: 1/2		CHECKED BY: ENG		DATE: 03-04-97		
A	10-16-97	JNM	TITLE: CFM COMPACT FILTER MODULE				DRAWING No: CFM-10001		