

SEE DRAWING "DC-10001"
FOR DIMENSION CHART

GENERAL NOTES:

ALL INDUSTRIAL VOLTAGES AVAILABLE FOR ELECTRICAL COMPONENTS.

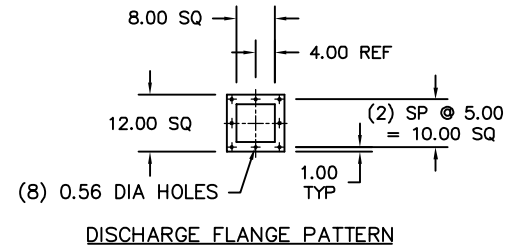
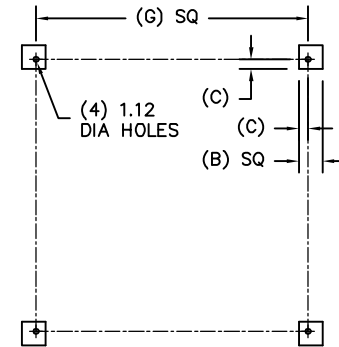
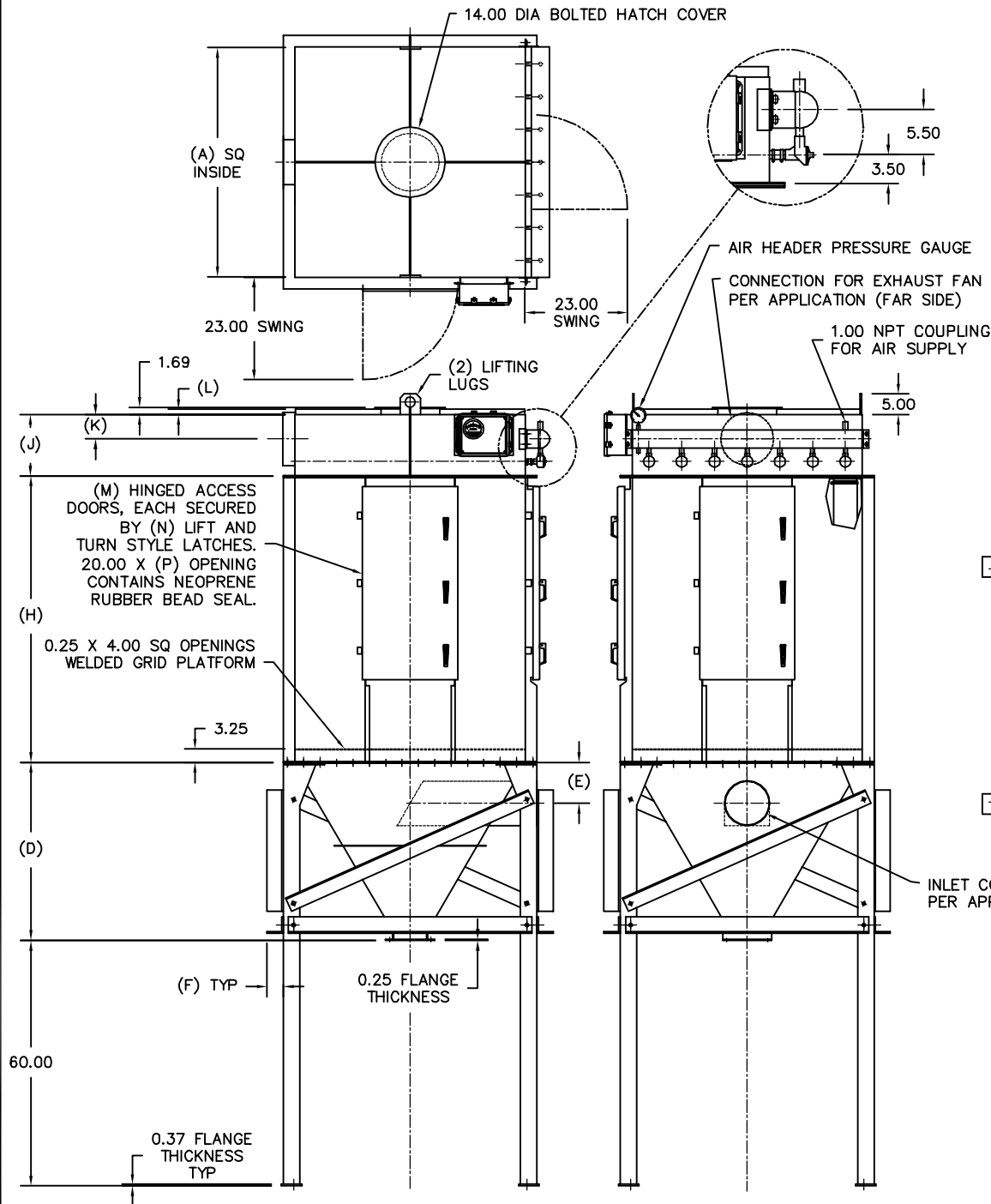
PREWIRING OF ELECTRICAL COMPONENTS TO CFM HOUSING JUNCTION BOX OPTIONAL.

ELECTRICAL ENCLOSURES NEMA 4 STANDARD. NEMA 4X, 7, AND 9 OPTIONAL.

METAL SURFACES ARE POWER TOOL CLEANED, PRIMED, AND FINISHED WITH INDUSTRIAL ENAMEL.

AIR REQUIREMENTS FOR COMPRESSED AIR HEADER ARE (16) CFM @ (80-100) PSI.

SPECIFICATIONS AND/OR DIMENSIONAL DATA ARE SUBJECT TO CHANGE. CONSULT DCL FOR CERTIFIED DRAWINGS.



INLET CONNECTION PER APPLICATION

| REV | DATE | BY | DCL | | SPECIALISTS IN ADVANCED DESIGN LOADING SYSTEMS | | P.O. BOX 125 CHARLEVOIX, MICHIGAN 49720 (231) 547-5600 | |
|-----|----------|-----|--|--|--|----------------|--|--|
| | | | TOLERANCES UNLESS OTHERWISE SPECIFIED | | DRAWN BY: TLC | SCALE: NONE | | |
| | | | FRACTIONAL: 1/16" DECIMAL: .005 ANGULAR: 1/2 | | CHECKED BY: ENG | DATE: 03-04-97 | | |
| | | | TITLE | | DRAWING No: | | | |
| A | 09-15-03 | TLC | DC BAG HOUSE STYLE DUST COLLECTOR | | DC-10002 | | | |