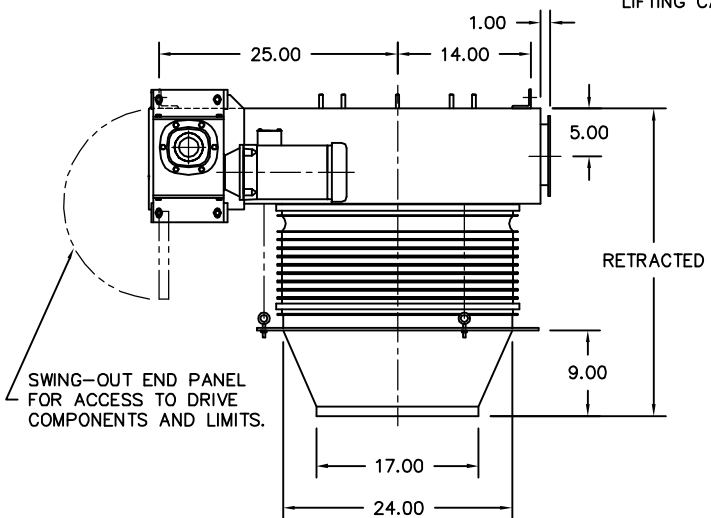


SIDE DUST OUTLET 6.13 DIA WITH (6) 0.31 HOLES ON A 7.31 BOLT CIRCLE.

(10) 0.44 DIA MOUNTING HOLES

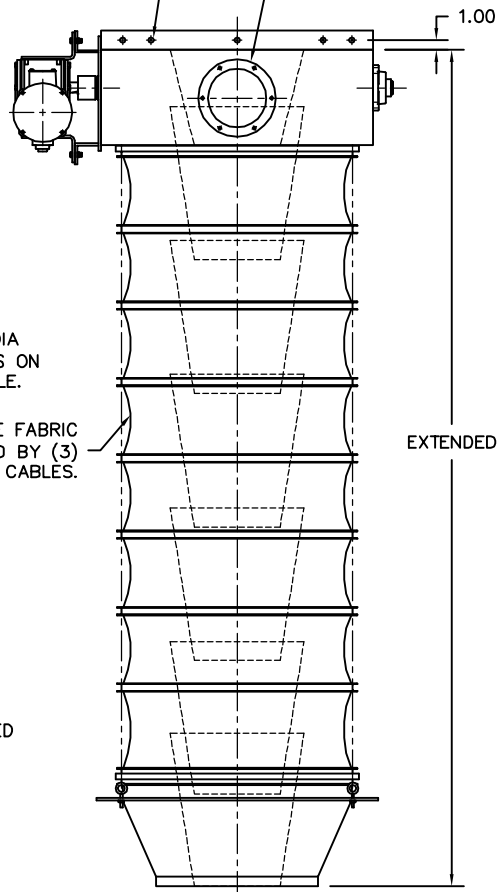
PRODUCT INLET 14.00 DIA WITH (8) 3/8-16 BOLTS ON A 16.00 DIA BOLT CIRCLE.

COLLAPSIBLE FABRIC SLEEVE GUIDED BY (3) LIFTING CABLES.



RETRACTED

SWING-OUT END PANEL FOR ACCESS TO DRIVE COMPONENTS AND LIMITS.



EXTENDED

MODEL	TRAVEL	RETR	EXTD	URE WGT	STL WGT	URE HP	STL HP
EV24-02	24.00	26.00	50.00	485 LB*	534 LB*	1 HP	1 HP
EV24-04	48.00	29.00	77.00	510 LB*	592 LB*	1 HP	1 HP
EV24-06	72.00	32.00	104.00	536 LB*	650 LB*	1 HP	1 HP
EV24-08	96.00	36.00	132.00	564 LB*	712 LB*	1 HP	1 HP
EV24-10	120.00	40.00	160.00	594 LB*	775 LB*	1 HP	1 HP
EV24-12	144.00	44.00	188.00	619 LB*	833 LB*	1 HP	1 HP/B
EV24-14	168.00	48.00	216.00	648 LB*	895 LB*	1 HP	1.5 HP
EV24-16	192.00	52.00	244.00	674 LB*	954 LB*	1 HP	1.5 HP/B
EV24-18	216.00	56.00	272.00	704 LB*	1016 LB*	1 HP	2 HP/B

**GENERAL NOTES:**

LOADING CAPACITY: 200 CFM  
 AVERAGE AIR WITHDRAWAL: 800 TO 1000 CFM  
 LIFTING SPEED: 16 FPM AVG

ALL INDUSTRIAL VOLTAGES ARE AVAILABLE FOR ELECTRICAL COMPONENTS.

PREWIRING OF ELECTRICAL COMPONENTS TO SPOUT FRAME JUNCTION BOX OPTIONAL.

ELECTRICAL ENCLOSURES NEMA 4 STANDARD. NEMA 4X, 7, AND 9 OPTIONAL.

COLLAPSIBLE FABRIC SLEEVE CAN BE CONSTRUCTED OF URETHANE/NYLON, HYPALON/NYLON, OR A NUMBER OF OTHER FABRICS. SLEEVES COME STANDARD WITH ALUMINUM OUTER AND INNER RINGS STANDARD.

METAL SURFACES ARE POWER TOOL CLEANED, PRIMED, AND FINISHED WITH INDUSTRIAL ENAMEL.

LOADING CAPACITY LISTED IS APPROXIMATE AND BASED ON FREE FLOWING PRODUCTS. CONSULT DCL FOR ACTUAL REQUIREMENTS.

AIR WITHDRAWAL REQUIREMENTS ARE AVERAGE. CONSULT DCL FOR FINAL RECOMMENDATIONS.

SPECIFICATIONS AND/OR DIMENSIONAL DATA ARE SUBJECT TO CHANGE. CONSULT DCL FOR CERTIFIED DRAWINGS.

CONE CONSTRUCTION NOTES: CONTAINED INNER DESIGN STANDARD WITH 0.13 AR STEEL, AND 0.13 304 OR 316 STAINLESS STEEL. OTHER MATERIALS AVAILABLE TO SUIT APPLICATION.

**OPTIONS:**

150# INLET FLANGE. ADDS 3.00 TO RETRACTED HEIGHT.

LEVEL SENSORS; TILT PROBE, RF PROBE, CAPACITANCE PROBE, PNEUMATIC PROBE.

AIR VIBRATOR KIT REQUIRES (40) CFM @ (80) PSI.

\*ESTIMATED WEIGHTS DO NOT INCLUDE OPTIONAL EQUIPMENT OR ELECTRICAL COMPONENTS.

REV	DATE	BY	DCL		SPECIALISTS IN ADVANCED DESIGN LOADING SYSTEMS		P.O. BOX 125 CHARLEVOIX, MICHIGAN 49720 (231) 547-5600	
			TOLERANCES UNLESS OTHERWISE SPECIFIED		DRAWN BY: JNM		SCALE: NONE	
			FRACTIONAL: 1/16" DECIMAL: .006 ANGULAR: 1/2		CHECKED BY: ENG		DATE: 10-06-92	
			TITLE		DRAWING No:			
A			10-04-00 JNM		EV24 LOADING SPOUT (EV STYLE)		EV24-10001	