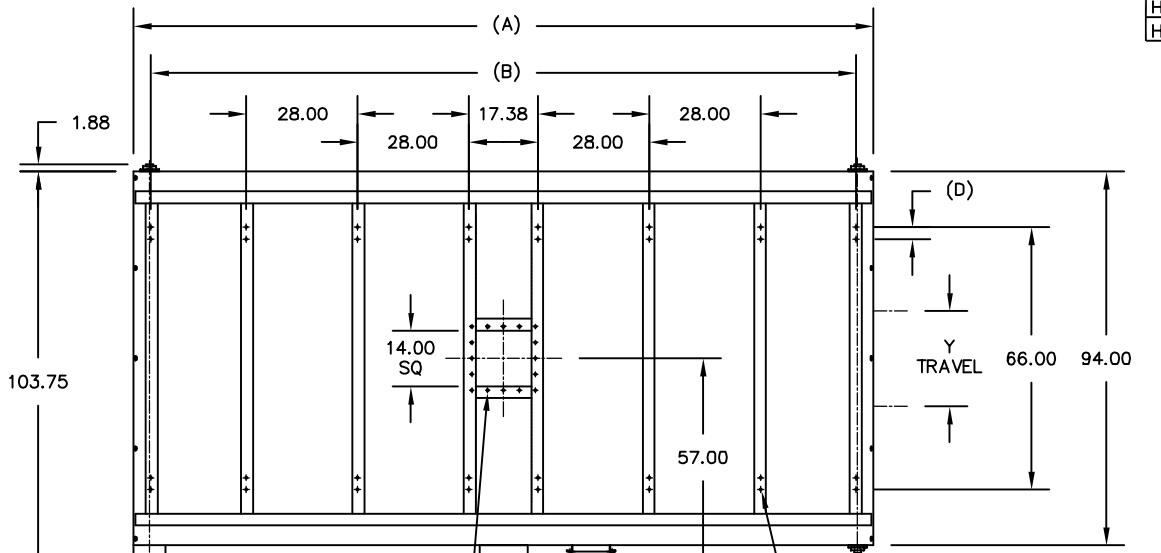


MODEL	X-TRAVEL	Y-TRAVEL	A	B	C	D	EST WGT
HPD4X2	48.00	24.00	138.00	N/A	40.00	2.25	3300 LB*
HPD6X2	72.00	24.00	186.00	177.38	55.00	3.00	4150 LB*



GENERAL NOTES:

POSITIONING SPEED: APPROX 5 IN/SEC

HOPPER CONSTRUCTION IS 11 GA MILD STEEL. STAINLESS STEEL CONSTRUCTION AND AR STEEL IS OPTIONAL.

ALL INDUSTRIAL VOLTAGES ARE AVAILABLE FOR ELECTRICAL COMPONENTS.

PREWIRING OF ELECTRICAL COMPONENTS TO SPOUT FRAME JUNCTION BOX OPTIONAL.

ELECTRICAL ENCLOSURES NEMA 4 STANDARD. NEMA 4X, 7, AND 9 OPTIONAL.

METAL SURFACES ARE POWER TOOL CLEANED, PRIMED, AND FINISHED WITH INDUSTRIAL ENAMEL.

SPECIFICATIONS AND/OR DIMENSIONAL DATA ARE SUBJECT TO CHANGE. CONSULT DCL FOR CERTIFIED DRAWINGS.

OPTIONS:

VENTING KIT

END OF TRAVEL LIMIT SWITCHES

PRE-WIRED ELECTRICAL ENCLOSURE

*ESTIMATED WEIGHTS DO NOT INCLUDE OPTIONAL EQUIPMENT OR ELECTRICAL COMPONENTS.

(16) 0.56 DIA HOLES ON A 16.00 SQ BOLT PATTERN

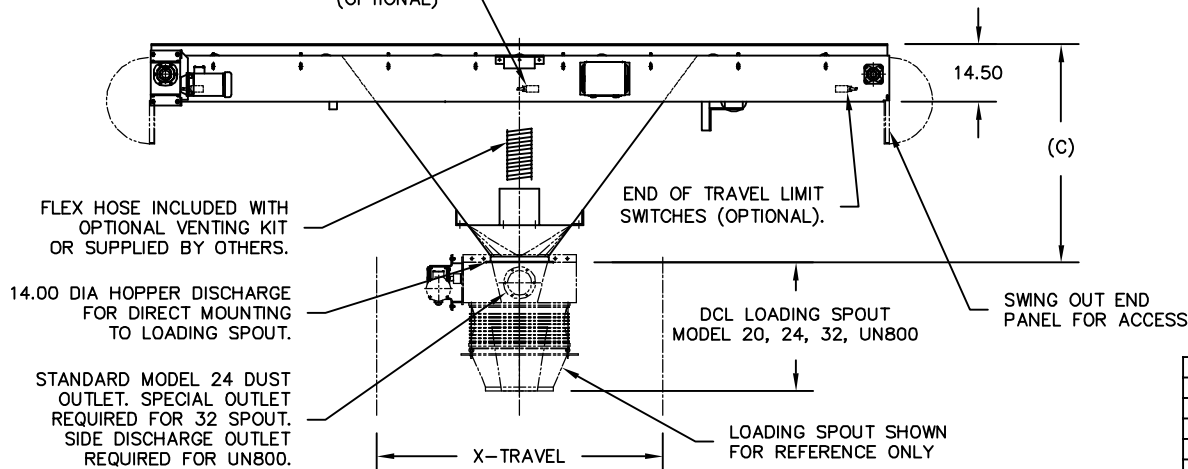
1 HP WORM GEAR DRIVE W/TORQUE LIMITING SLIP CLUTCH & DUAL CHAIN DRIVE (TYP BOTH DIR).

PRE-WIRED ELECTRICAL ENCLOSURE (OPTIONAL)

0.56 DIA SUPPORT HOLES TO MOUNT TO CUSTOMER'S STRUCTURE.
(24) MODEL HPD4X2
(32) MODEL HPD6X2

VENTING KIT (OPTIONAL)
6.00 DIA W/(6) 0.28 DIA HOLES ON A 7.31 DIA BC
8.00 DIA W/(6) 0.38 DIA HOLES ON A 9.56 DIA BC
(SELECTED AS REQUIRED BY LOADING SPOUT).

RETURN TO CENTER LIMIT SWITCHES BOTH DIRECTIONS (OPTIONAL)



REV	DATE	BY	DCL			SPECIALISTS IN ADVANCED DESIGN LOADING SYSTEMS		P.O. BOX 125 CHARLEVILLE, MICHIGAN 49720 (231) 547-5600		
			TOLERANCES UNLESS OTHERWISE SPECIFIED			DRAWN BY: RB	SCALE: NONE			
			FRACTIONAL: 1/16" DECIMAL: .06 ANGULAR: 1/2			CHECKED BY: ENG	DATE: 02-19-02			
A	04-08-04	JNM	TITLE: HPD DUAL DIRECTION POSITIONER					DRAWING No: HPD-10003		