

MODEL	EST WGT
RPT24-16	450 LB*

GENERAL NOTES:

TRIMMER IS DESIGNED TO DIRECTLY REPLACE THE DISCHARGE ASSEMBLY ON A DCL EV24 LOADING SPOUT. OTHER SPOUT MODIFICATIONS MAY BE REQUIRED TO SUPPORT TRIMMER WEIGHT. CONSULT DCL FOR DETAILS.

ALL INDUSTRIAL VOLTAGES ARE AVAILABLE FOR ELECTRICAL COMPONENTS.

ELECTRICAL ENCLOSURES NEMA 4 STANDARD. NEMA 4X, 7, AND 9 OPTIONAL.

STANDARD CONSTRUCTION IS MILD STEEL. STAINLESS STEEL CONSTRUCTION IS OPTIONAL.

SLEEVE CLAMPING RING IS ALUMINUM. OTHER MATERIALS AVAILABLE TO MATCH SPOUT SLEEVE RINGS.

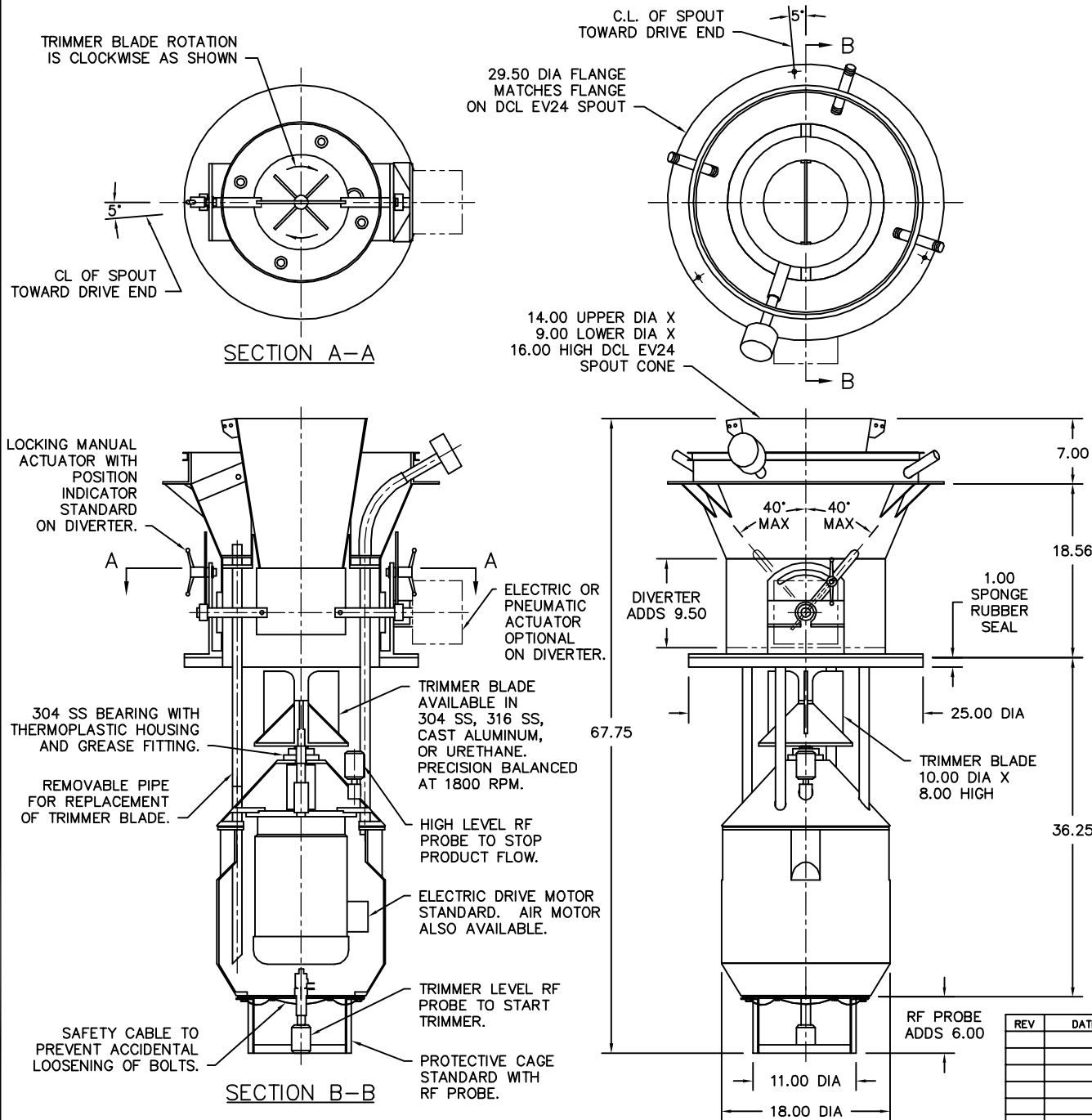
SPOUT CONE CONSTRUCTION MATERIAL IS AVAILABLE TO MATCH INNER SPOUT CONES.

METAL SURFACES ARE POWER TOOL CLEANED, PRIMED, AND FINISHED WITH INDUSTRIAL ENAMEL.

SPECIFICATIONS AND/OR DIMENSIONAL DATA ARE SUBJECT TO CHANGE. CONSULT DCL FOR CERTIFIED DRAWINGS.

C/F = CONSULT FACTORY

*ESTIMATED WEIGHTS DO NOT INCLUDE OPTIONAL EQUIPMENT OR ELECTRICAL COMPONENTS.



REV	DATE	BY	DCL SPECIALISTS IN ADVANCED DESIGN LOADING SYSTEMS		P.O. BOX 125 CHARLEVOIX, MICHIGAN 49720 (231) 547-5600
			TOLERANCES UNLESS OTHERWISE SPECIFIED		DRAWN BY: TLC SCALE: NONE
			FRACTIONAL: 1/16" DECIMAL: .006 ANGULAR: 1/2		CHECKED BY: ENG DATE: 10-06-92
A	09-05-02	TLC	TITLE RPT24 ROTARY PRODUCT TRIMMER		DRAWING No: RPT-10001